

Thank You Letter

Many thanks for purchasing this Powerflex Handling Package.

This selection of parts has been put together to give you the perfect combination of value versus performance and based on years of experience, we have selected what we feel are the products that are going to give you the best handling improvements for your vehicle whilst being mindful of cost.

Your Powerflex Handling Package can be fitted to refresh the suspension feel of your vehicle or can be a great accompaniment to other suspension upgrades when preparing a vehicle for track driving.

Below is a listing of the parts included in this kit,

- PFF85-501 - FRONT WISHBONE FRONT BUSH x 2
- PFF85-802 - FRONT WISHBONE REAR BUSH x 2
- PFF85-832 - LOWER ENGINE MOUNT INSERT x 1
- PFR85-816 - REAR TRAILING ARM FRONT BUSH X 2

We hope you enjoy the difference Powerflex suspension bushes make to your vehicle.



PART NUMBER

PFF85-802

DESCRIPTION

FRONT WISHBONE REAR BUSH

INSTALLATION GUIDE

Product description:

This part replaces OEM part number 5Q0407183E.

Contents (parts per pack):

2 x 'A' PU, 2 x 'B' PU, 2 x Sleeves, 4 x Adapter pins, 2 washers, 1 x Grease

Please read the complete fitting instructions and check package components before fitment.

These fitting instructions are to be used as a guide and in conjunction with workshop manual.

It is recommended that:

-all work to be carried out by a licensed technician;

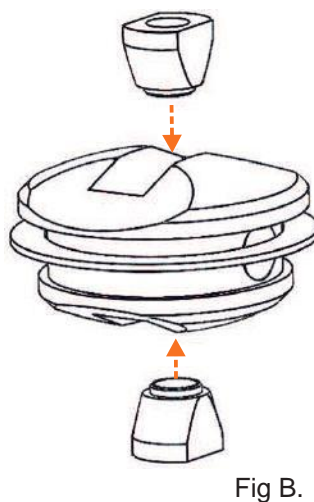
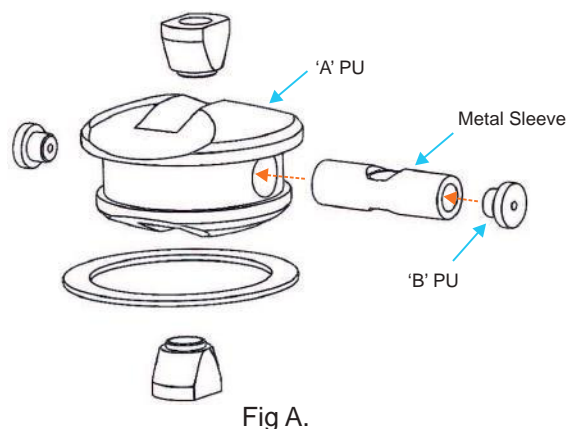
-all safety precautions adhered to;

-wheel alignment to be checked and adjusted as required after any suspension work.

All fasteners must be tensioned to manufacturer's torque settings.

Fitting Instructions:

1. Remove the front wish bone from the car and push out the original bush from the arm.
2. Clean any dirt and corrosion from the bore the arm.
3. Apply some of the supplied grease into the bore of the 'A' PU. Insert the metal sleeve into the bore of the 'A' PU making sure the centre hole in the sleeve is visible from the voids of the PU. Use the 'B' PU to plug the side holes on the 'A' PU. Fig A.
4. Press the supplied washer into the 'A' PU. Fig B.
5. Fit the PU into the bore of the arm making sure to position the void as shown in Fig C.
6. Insert and locate the supplied adapter pins into the voids of the 'A' PU and the bore of the metal sleeve inside the PU. Fig C.
7. Fit back arm to the car. Tension all hardware to manufacturers recommended torque settings.



INSTALLATION GUIDE

Product description:

This part replaces OEM part number 5Q0505541A.

Contents (parts per pack):

2 x 'A' Polyurethane Bushes 4 x 'B' Polyurethane Bushes 2 x Stainless steel sleeves 1 x Grease

*Please read the complete fitting instructions and check package components before fitment.
These fitting instructions are to be used as a guide and in conjunction with workshop manual.*

It is recommended that:

- all work to be carried out by a licensed technician;*
 - all safety precautions adhered to;*
 - wheel alignment to be checked and adjusted as required after any suspension work.*
- All fasteners must be tensioned to manufacturer's torque settings.*

Fitting Instructions:

1. Remove the rear trailing arm from the car.
2. Push out the rubber bush from the arm. Fig A.
3. Remove any sharp edges and clean any dirt or corrosion from the arm bore.
4. Fit the new large 'A' PU bush into the arm, with the smaller diameter facing towards the outer face of the arm. Fig B.
5. Insert the two smaller 'B' PU bushes from both sides into the 'A' PU. Fig B.
6. Apply some of the supplied grease in the bore of the bush and insert the stainless steel sleeves into the bore. Fig B.
7. Fit back trailing arm to the car. Tension all hardware to manufacturers recommended torque settings.



Fig A.

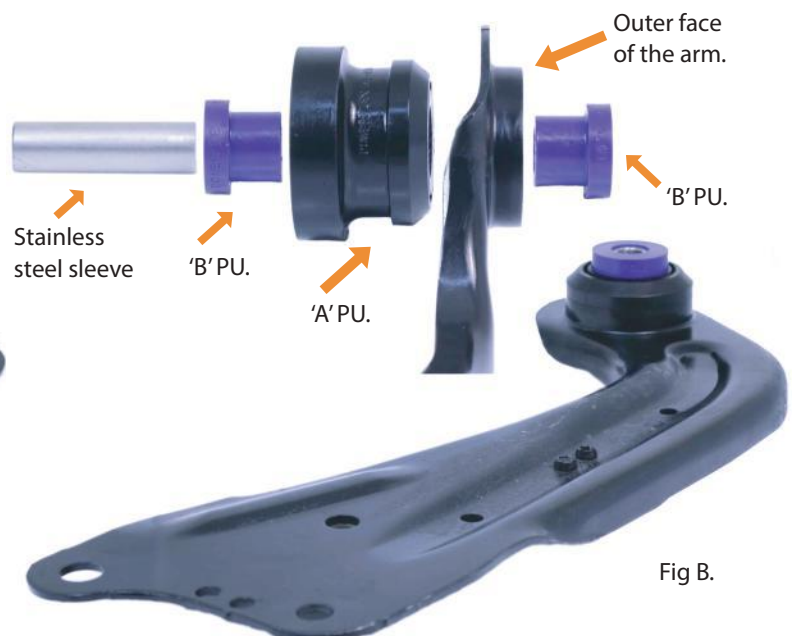


Fig B.

INSTALLATION GUIDE

Product description:

This part fits OEM part number 5Q0198 037 B as an insert.

Contents (parts per pack):

1 x Polyurethane Insert 1 x Sleeve 1 x Washer 1 x Grease

Please read the complete fitting instructions and check package components before fitment. These fitting instructions are to be used as a guide and in conjunction with workshop manual. It is recommended that:

- all work to be carried out by a licensed technician;
 - all safety precautions adhered to;
 - wheel alignment to be checked and adjusted as required after any suspension work.
- All fasteners must be tensioned to manufacturer's torque settings.

Fitting Instructions:

1. Access the lower engine mount which is located in the front sub frame under the car.
2. Remove the bolt from the lower engine mount. Fig A.
3. The insert pushes into the voids of the original bush. Remove any flash lines and clean the dirt from the voidings.
4. Slide the new PU insert into the voids of the rubber bush. Fig B.
5. Position the supplied washer on top of the PU insert. Push the supplied sleeve into the bore of the washer. Fig B.
6. Use the original bolt and small washer to secure the PU insert kit into the rubber engine mount. Fig B.
7. Tension all hardware to manufacturers recommended torque settings.



Fig A.



Fig B.